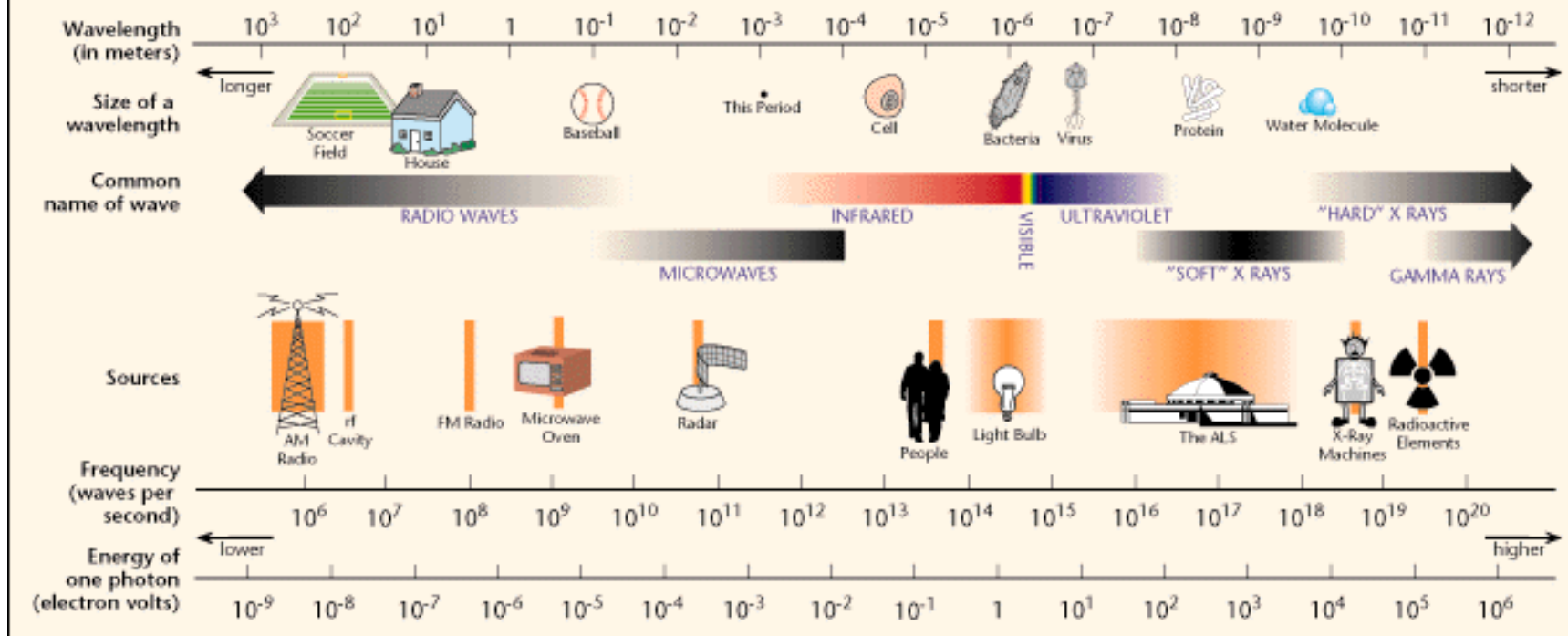
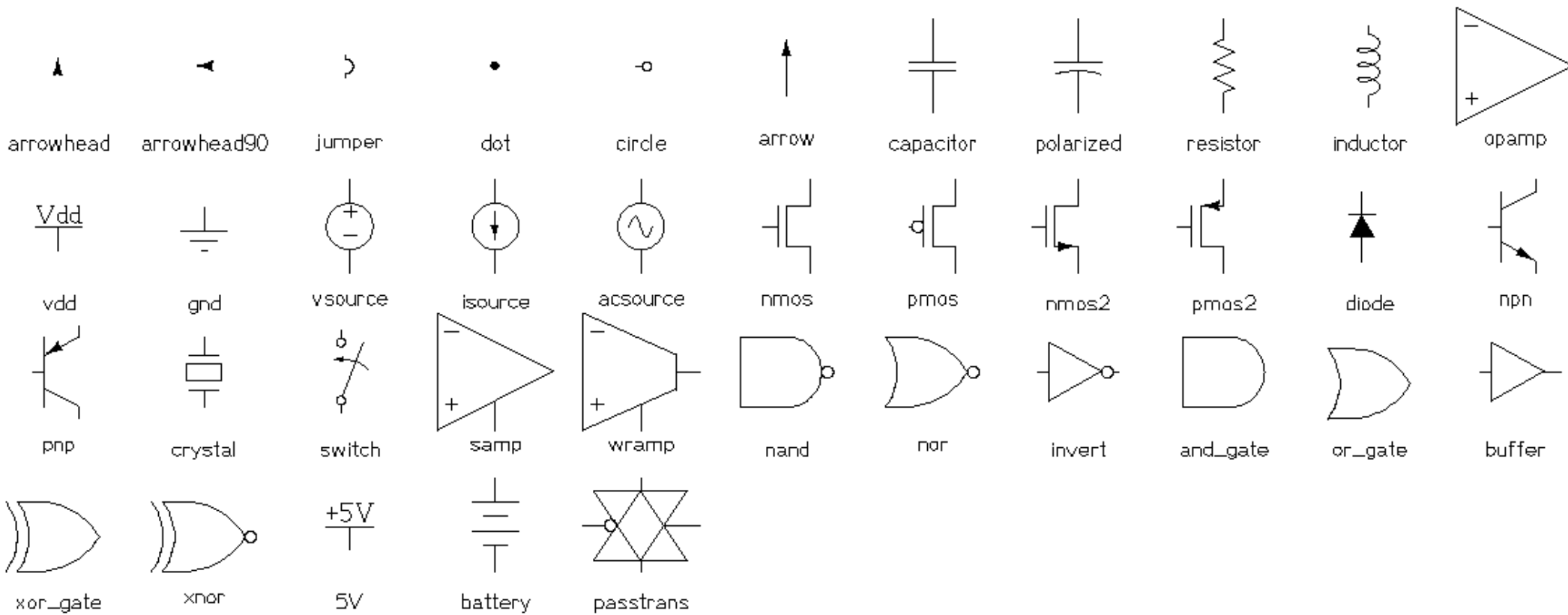


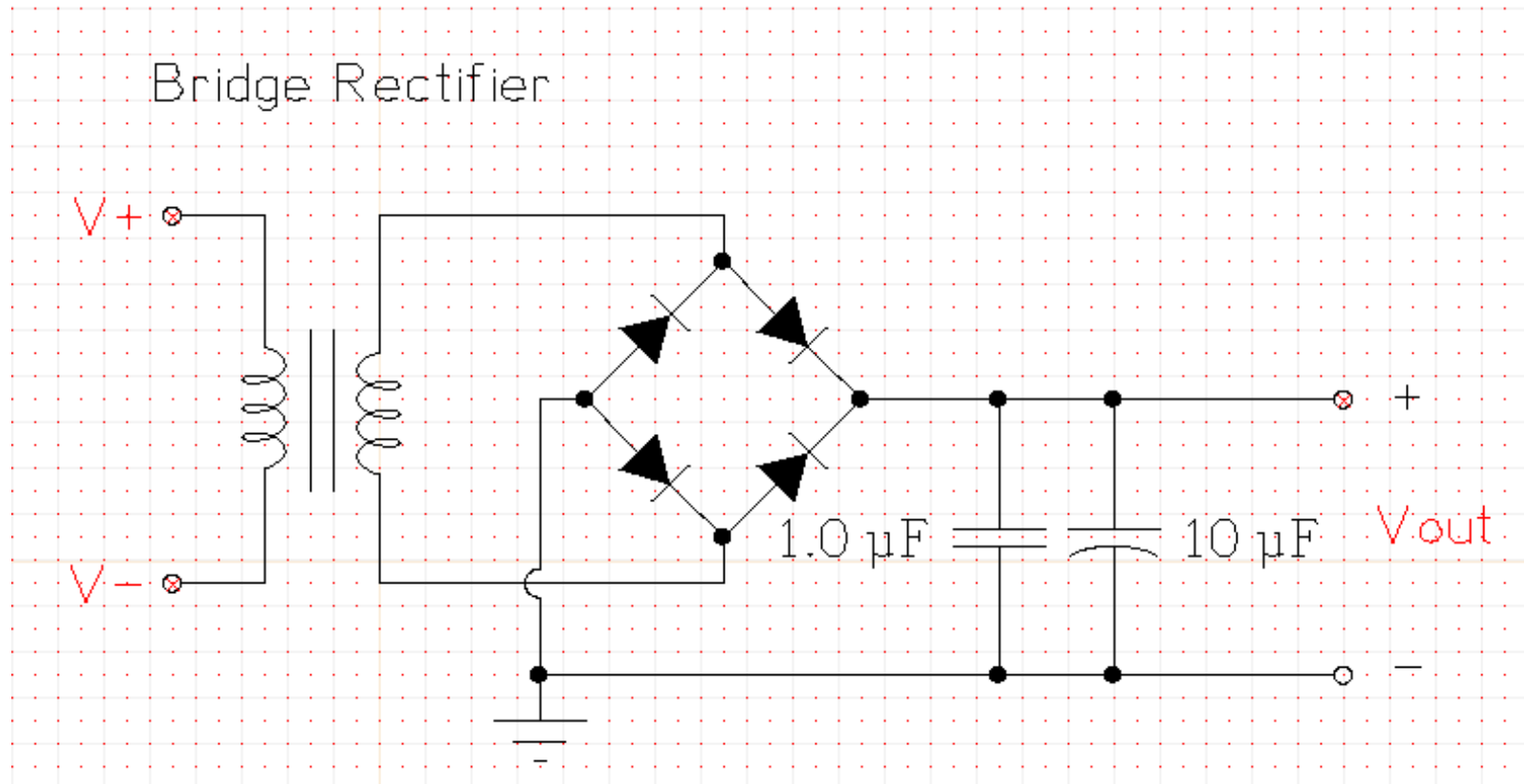
THE ELECTROMAGNETIC SPECTRUM



Various Electronic Symbols



Schematic Diagram Obtained Using Xcircuit



Example Block Diagram Taken From Maharbitz and Ulaby

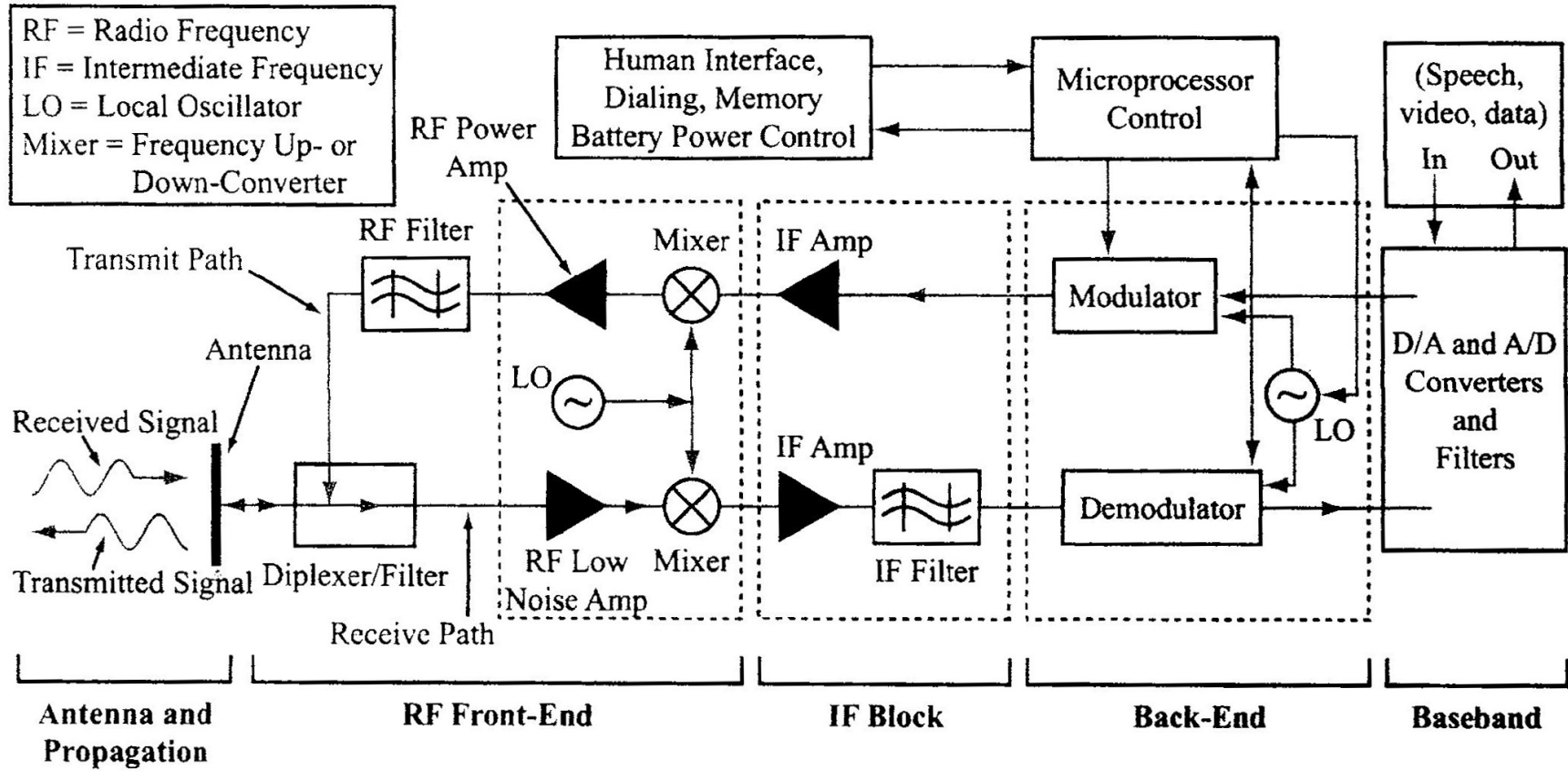


Figure 1-2: Cell-phone block diagram.

gResistor

Type of resistor: 4 band

value_1

value_2

value_3

multiply

tolerance

temp.

Black

Black

Black

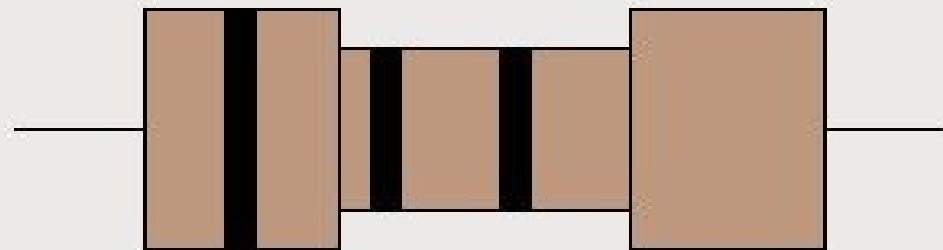
Black

None

None

Resistor

$0 \Omega \pm 20\%$



 Quit